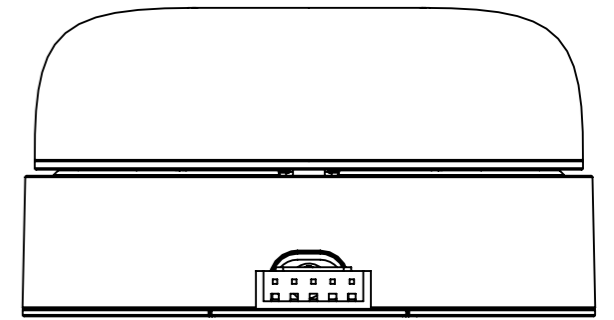
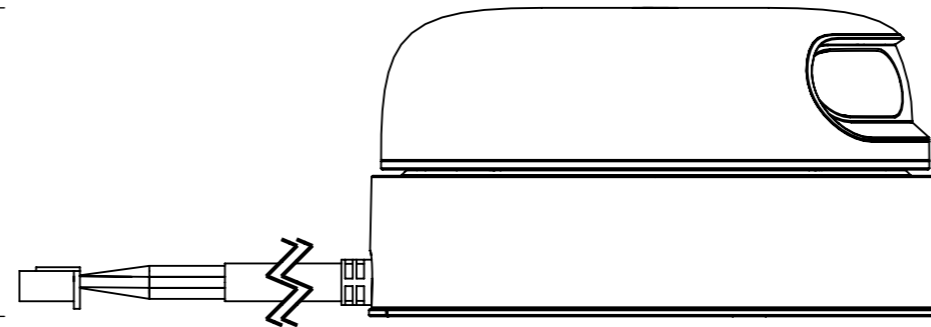
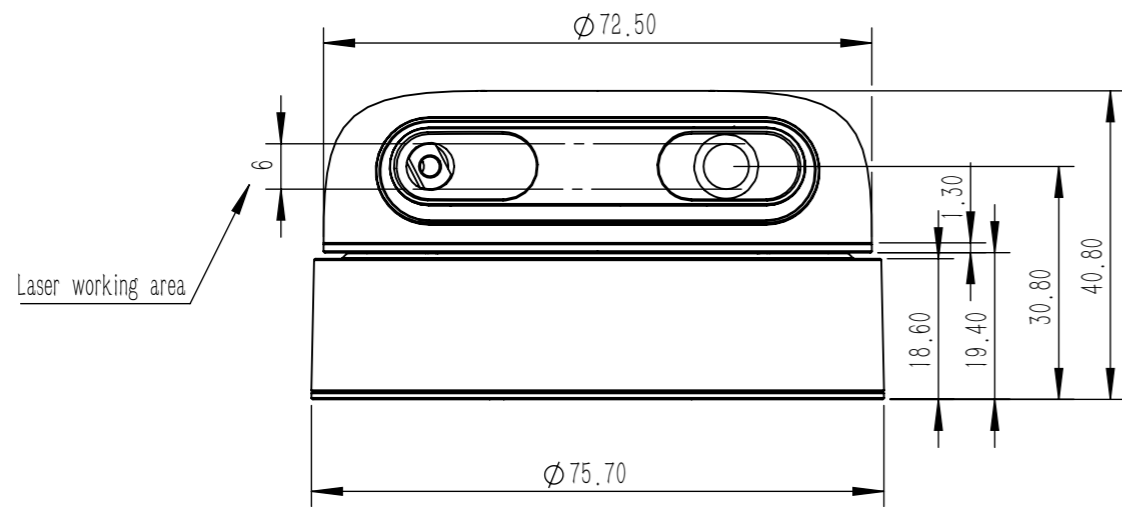
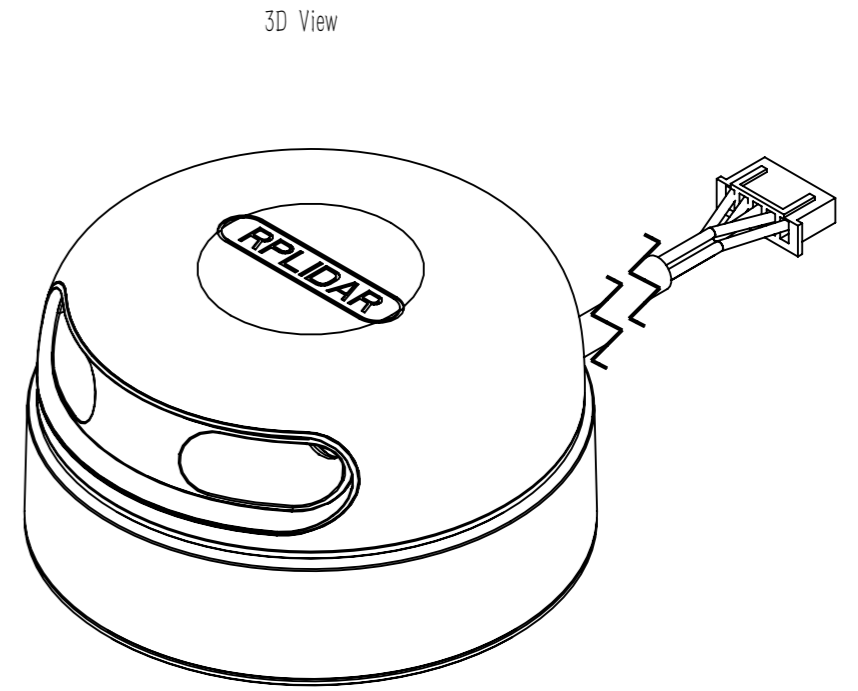
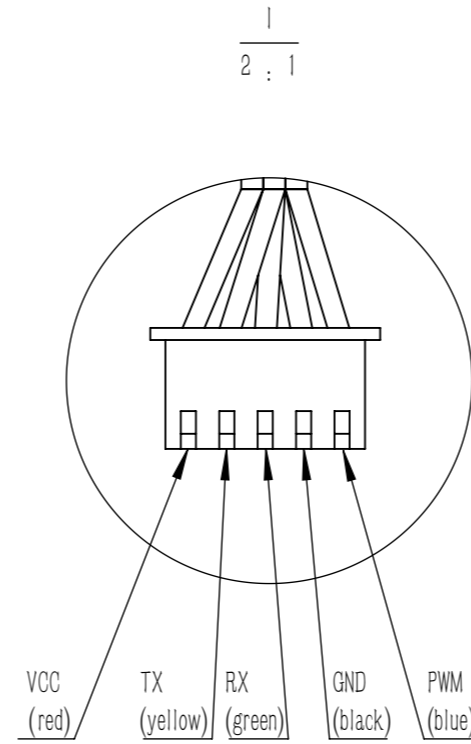
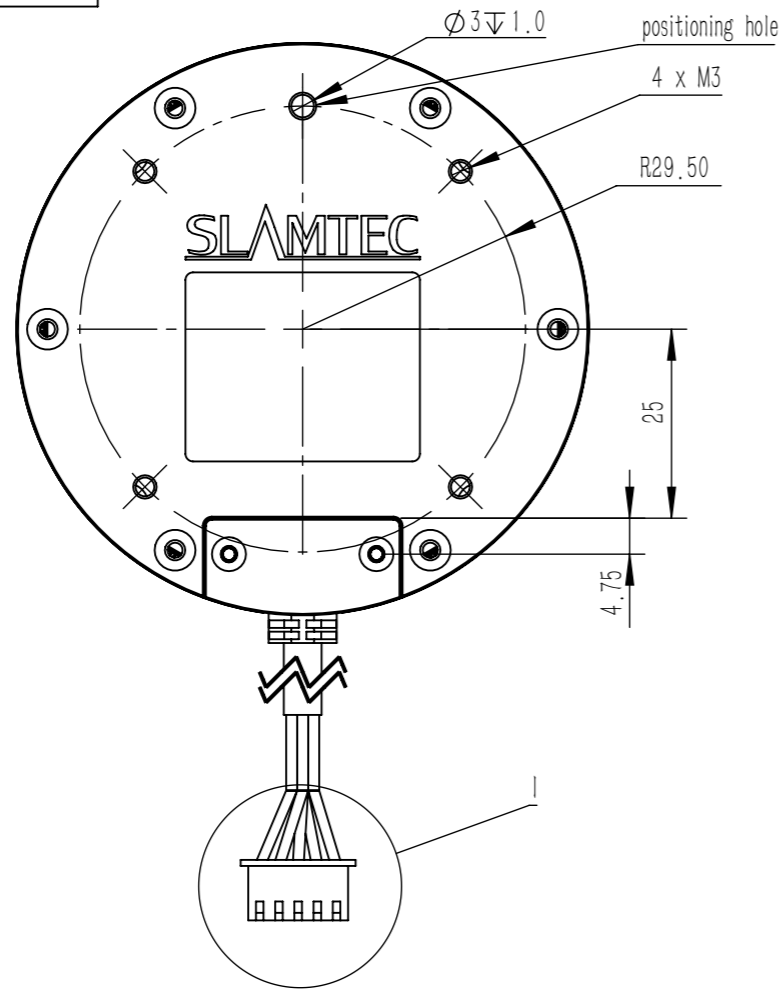


000-2A2A



Technical Specification:

1. The valid working area of the laser is 3mm above and below the horizontal line based on the laser transmitter center and the lens center ,6mm in total.
2. The RPLIDAR A2 uses the XH2.54-5P plug as the external plug. With the touch points side upwards, the block terminals of the plug from left to right are VCC(red cable), TX(yellow cable), RX(green cable), GND(black cable) and PWM(blue cable).
3. The RPLIDAR A2 is fixed by four M3 mechanical screws.

						Shanghai Slamtec Co., Ltd.		
标记	处数	分区	更改文件号	签名	年月日	阶段标记	重量	比例
设计	汪迎春		标准化					1:1
校核			工艺					
主管设计			审核					
			批准			共 1 张	第 1 张	版本 3
						RPLIDAR A2		RPA2-000
						替代		

零件代号  
借(通)用件登记  
描图  
描校  
旧底图总号  
底图总号  
签字  
日期